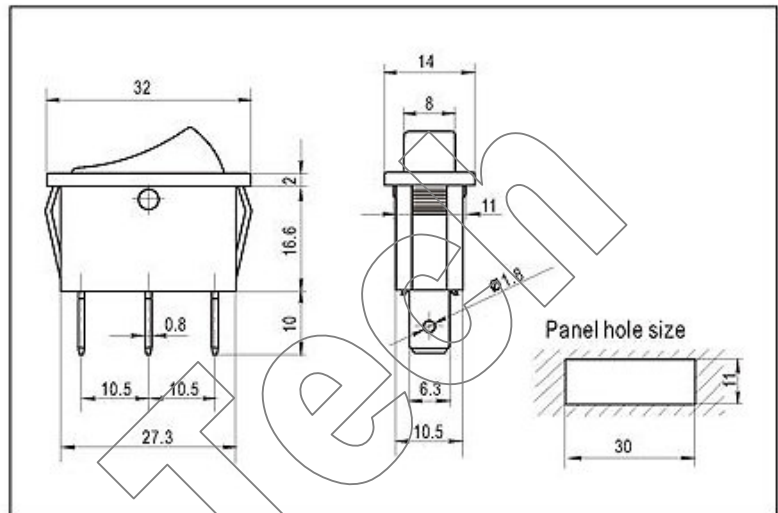


Rocker Switch (RS1-3 (W) Series)



SPECIFICATIONS

16 (4) A 250VAC T125/55 1E4
 15A 125VAC / 7.5A 250VAC
 (H) Rating: 16 (8) A 250VAC T85/55 1E4
ROHS Compliance



EXPLANATION MODEL NUMBER

RS1-3(W)-11-N- C- 2- RE/BK-P1(2)

